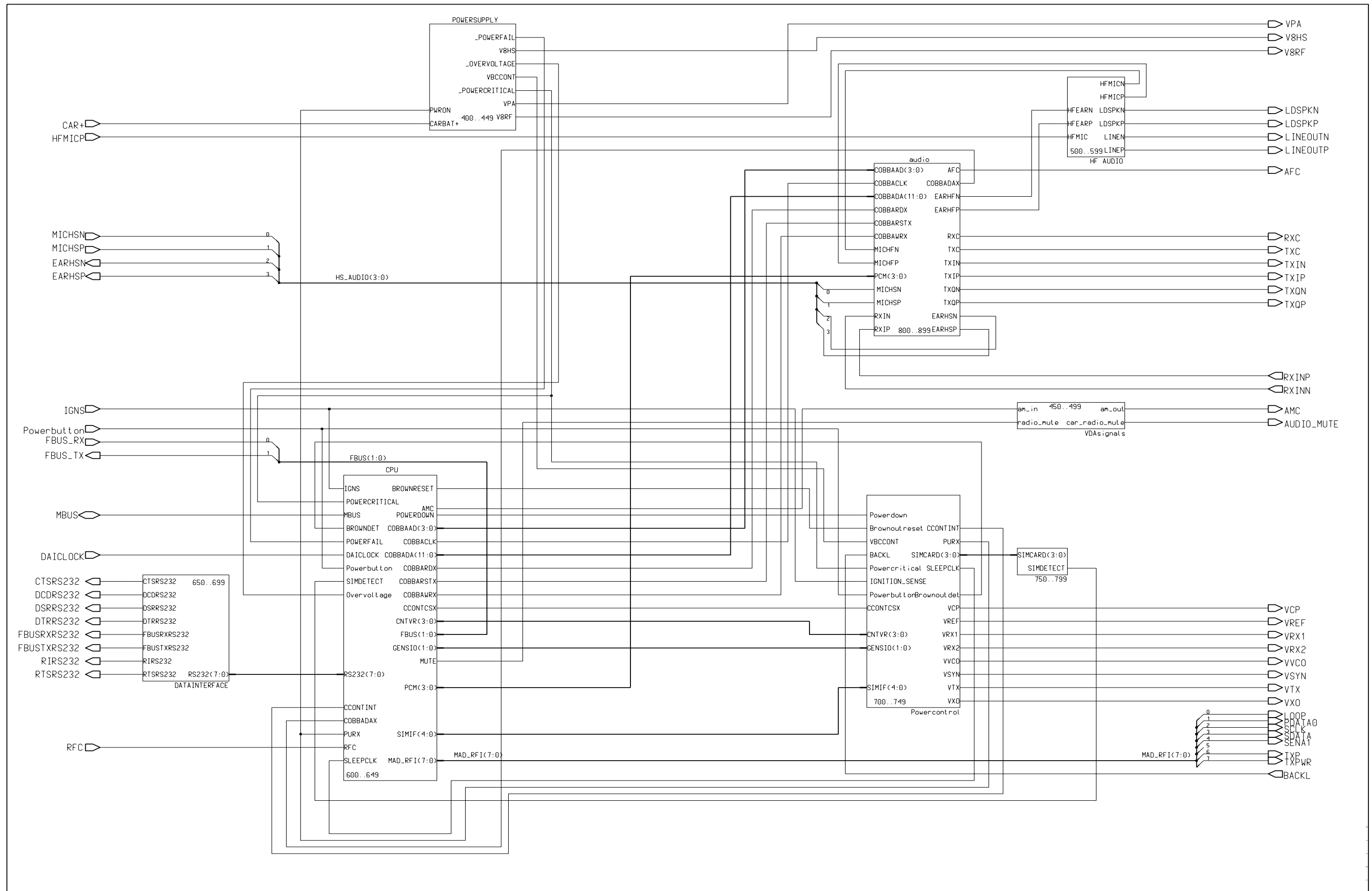
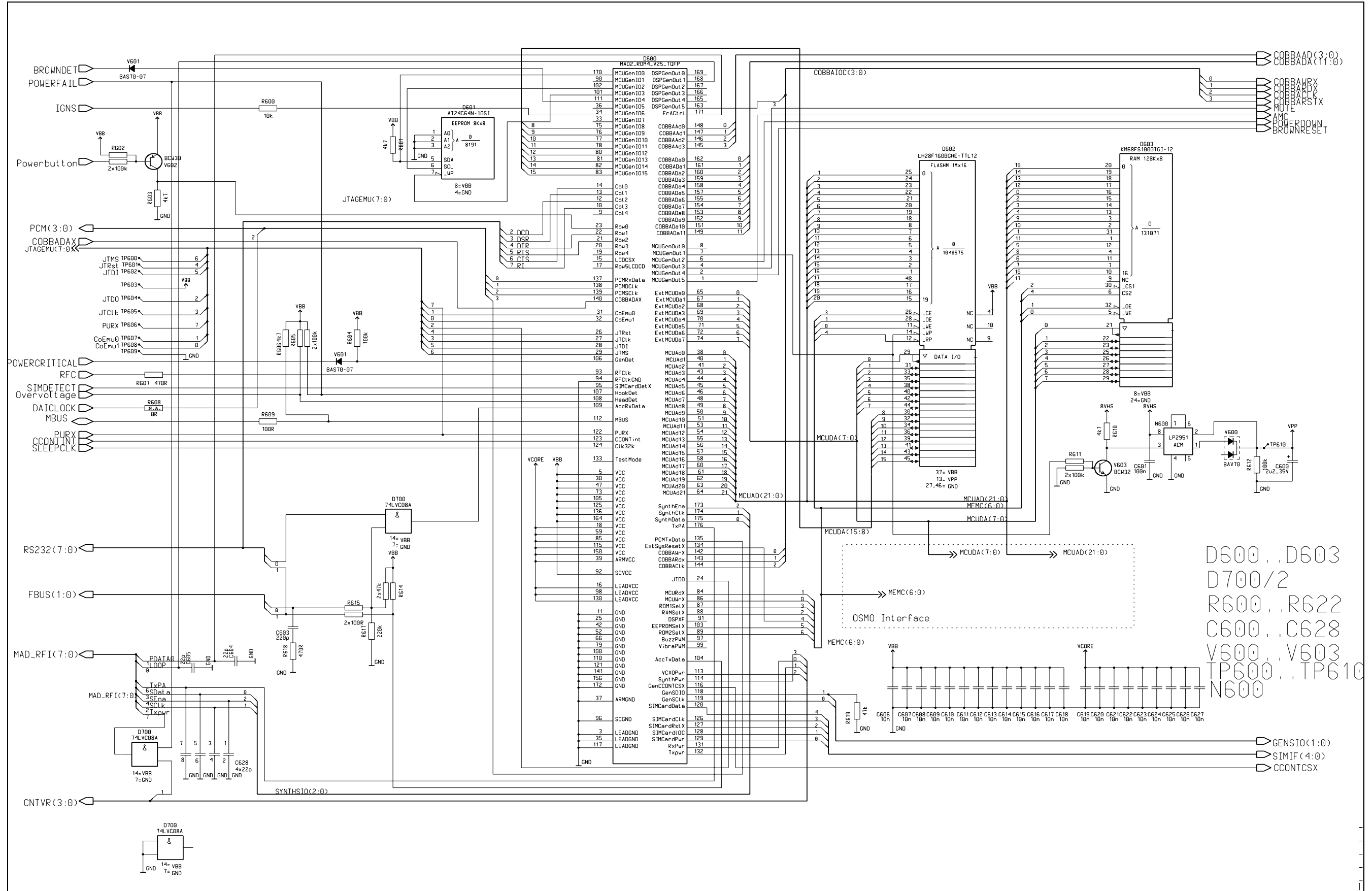


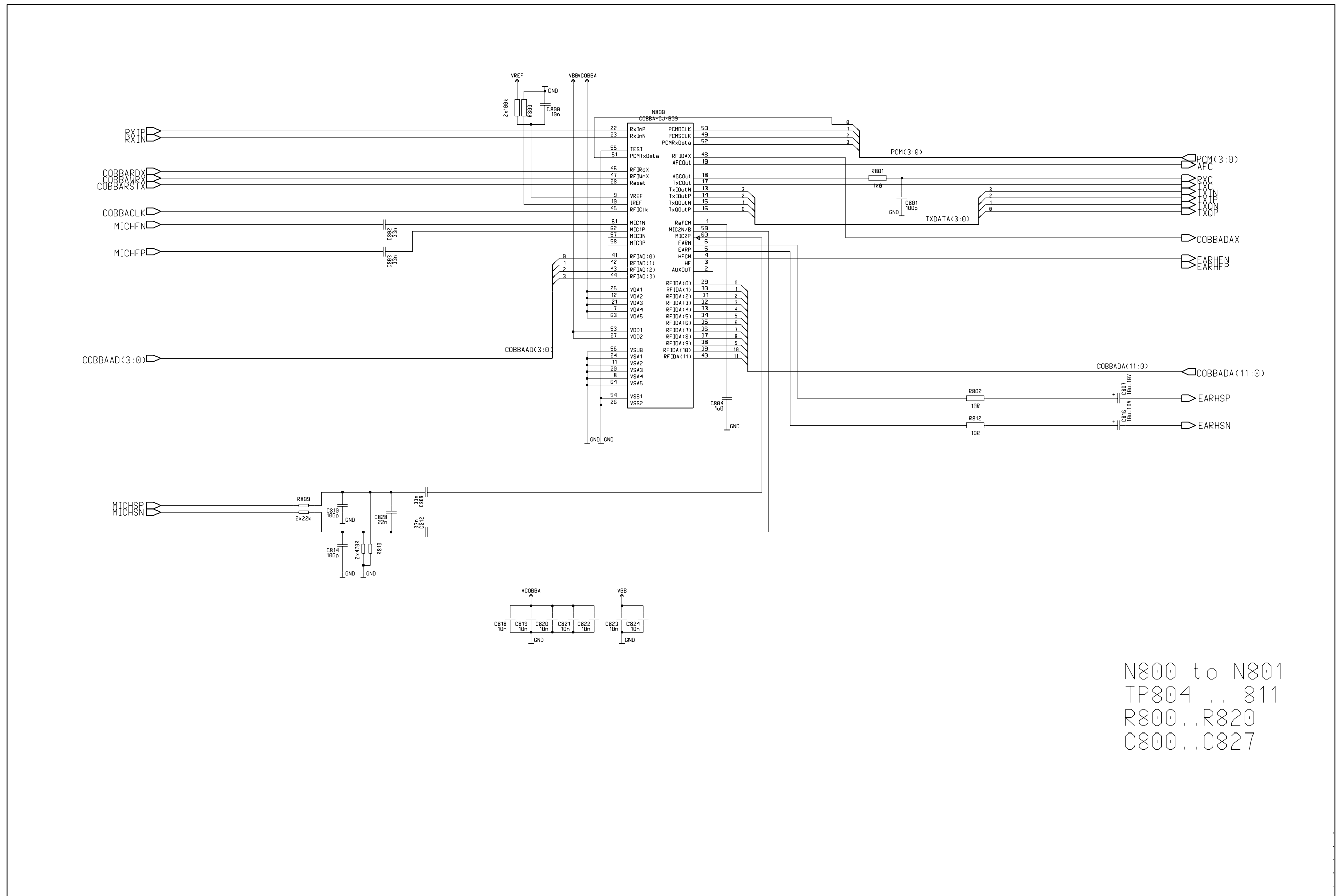
System Block Diagram



CPU

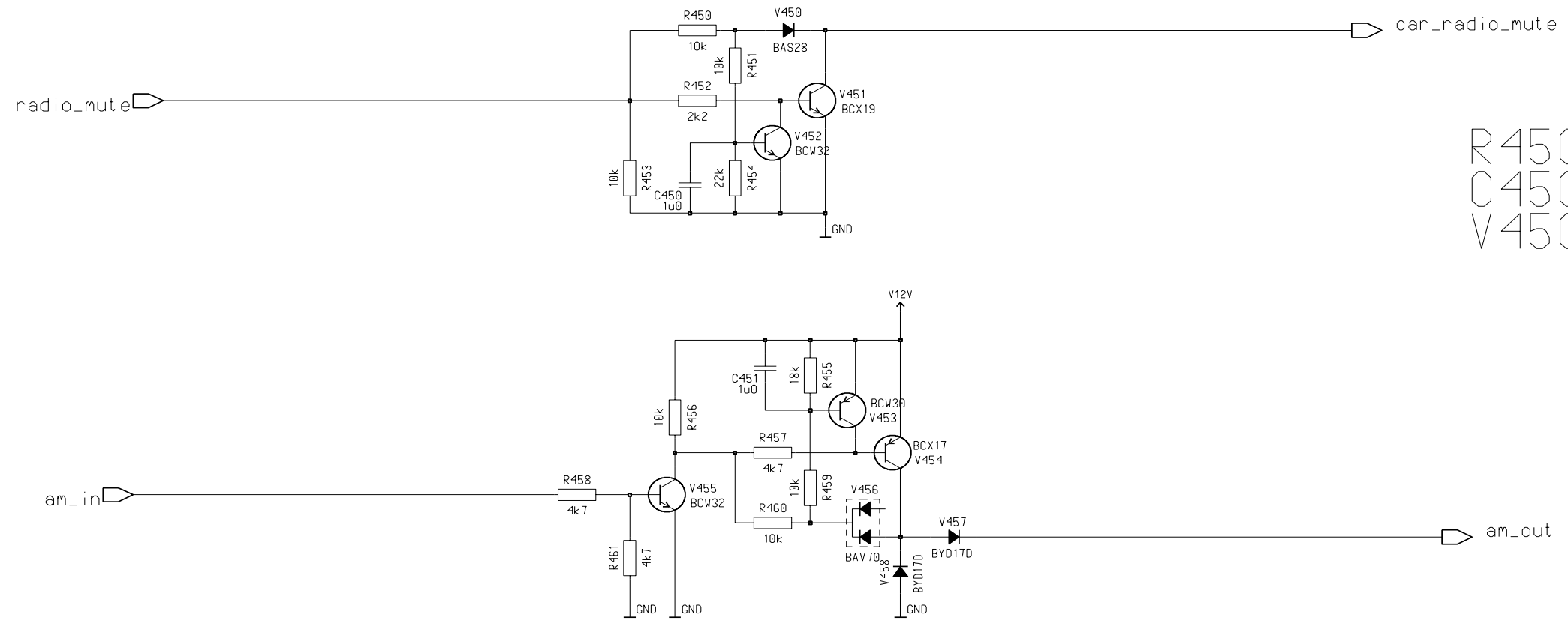


Audio



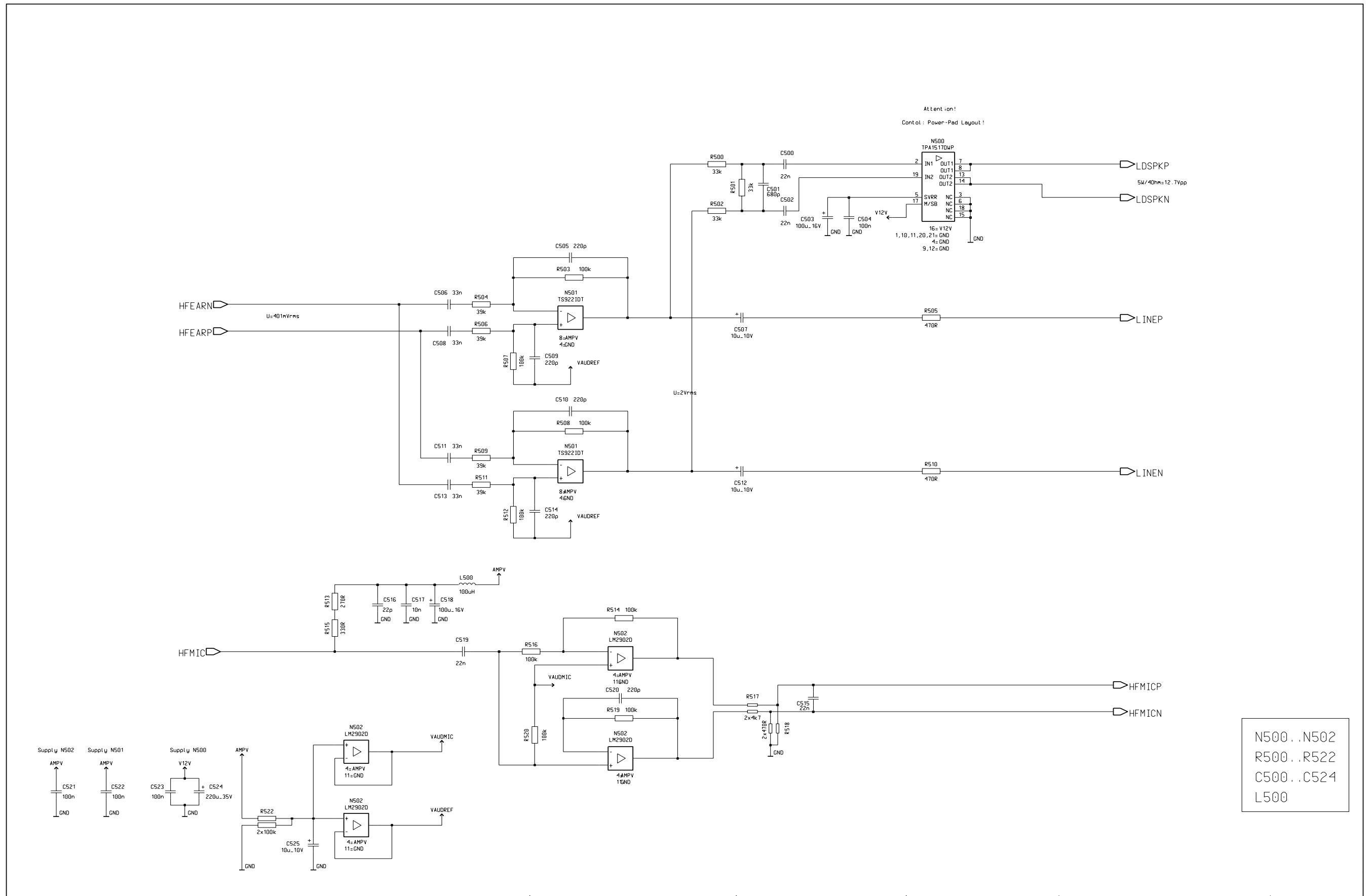
N800 to N801  
 TP804 .. 811  
 R800 .. R820  
 C800 .. C827

VDA Signal



R450 .. R461  
 C450 .. C451  
 V450 .. V459

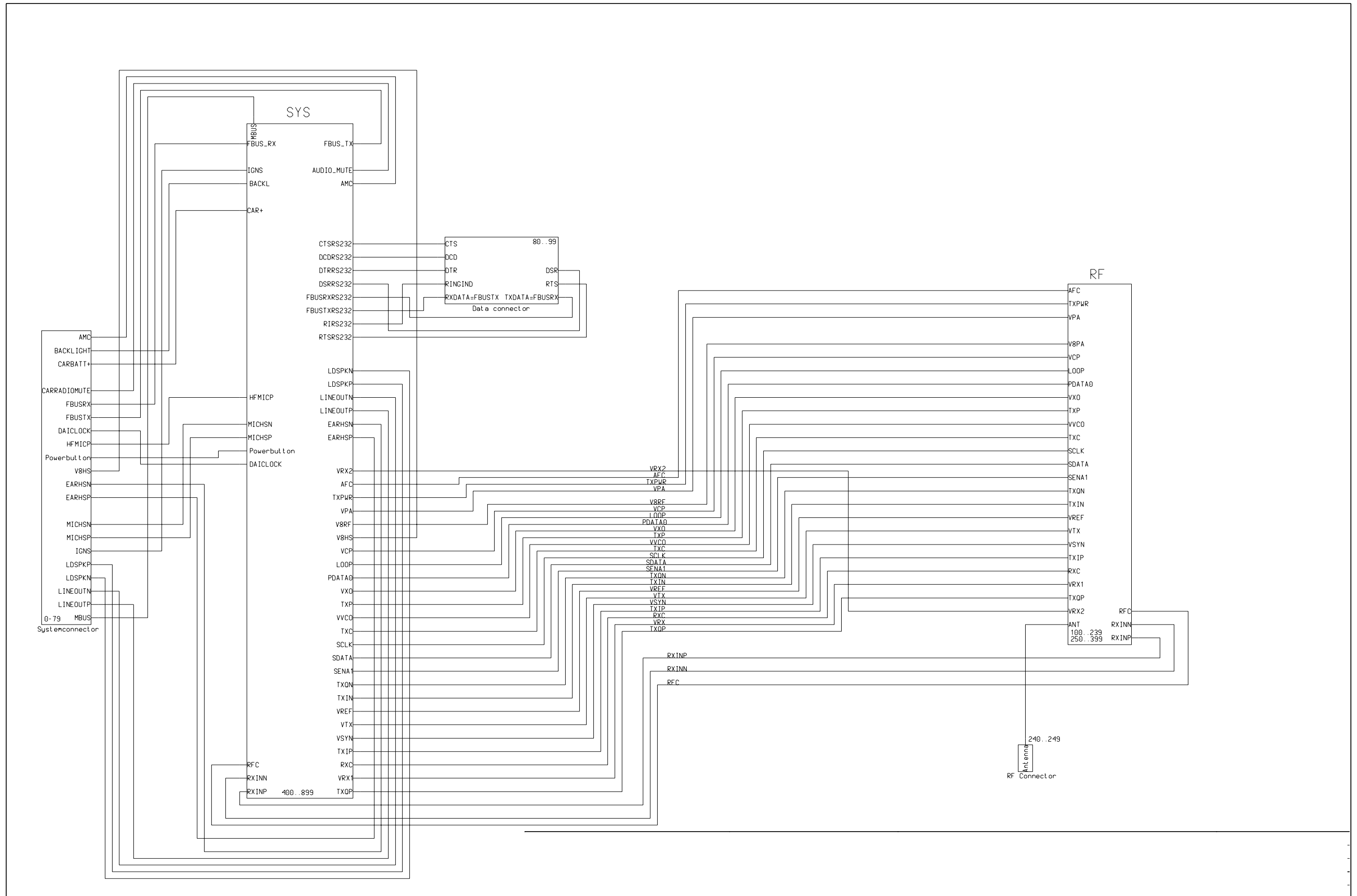
HF Audio





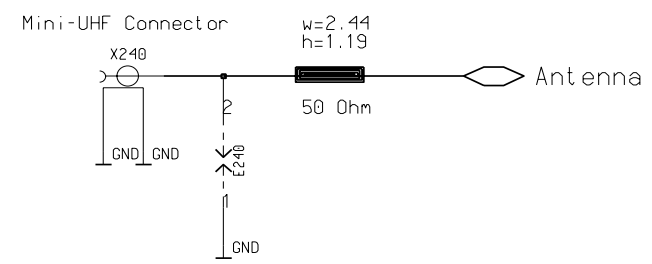


Interconnections



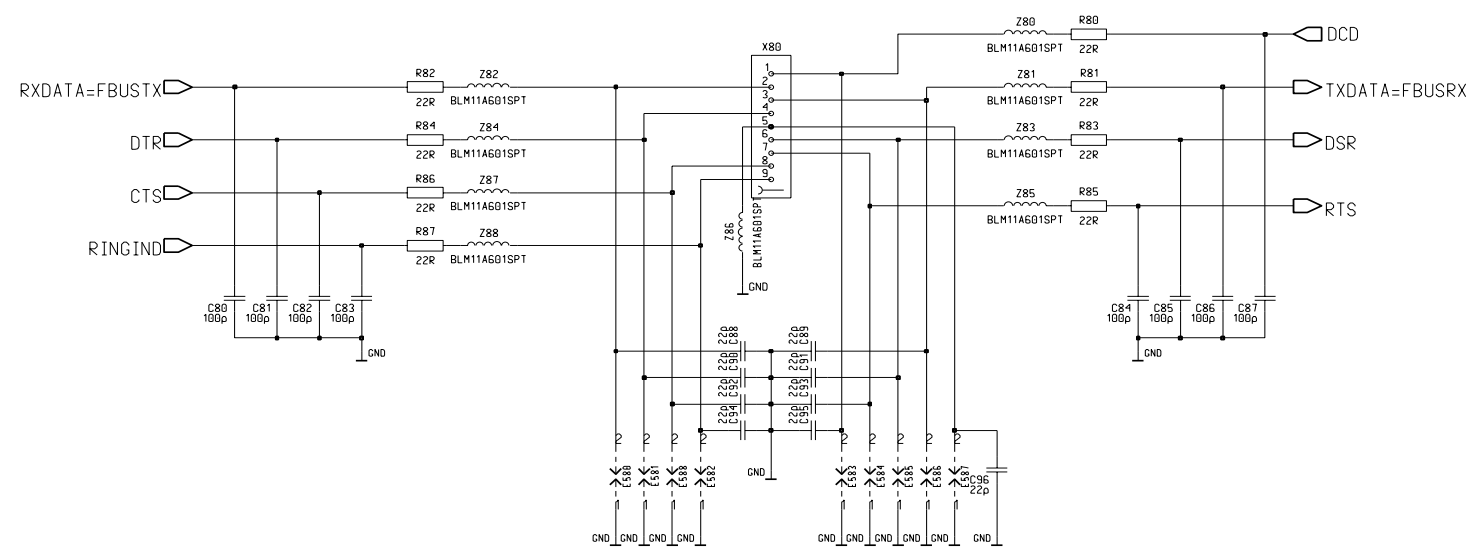


RF Connector

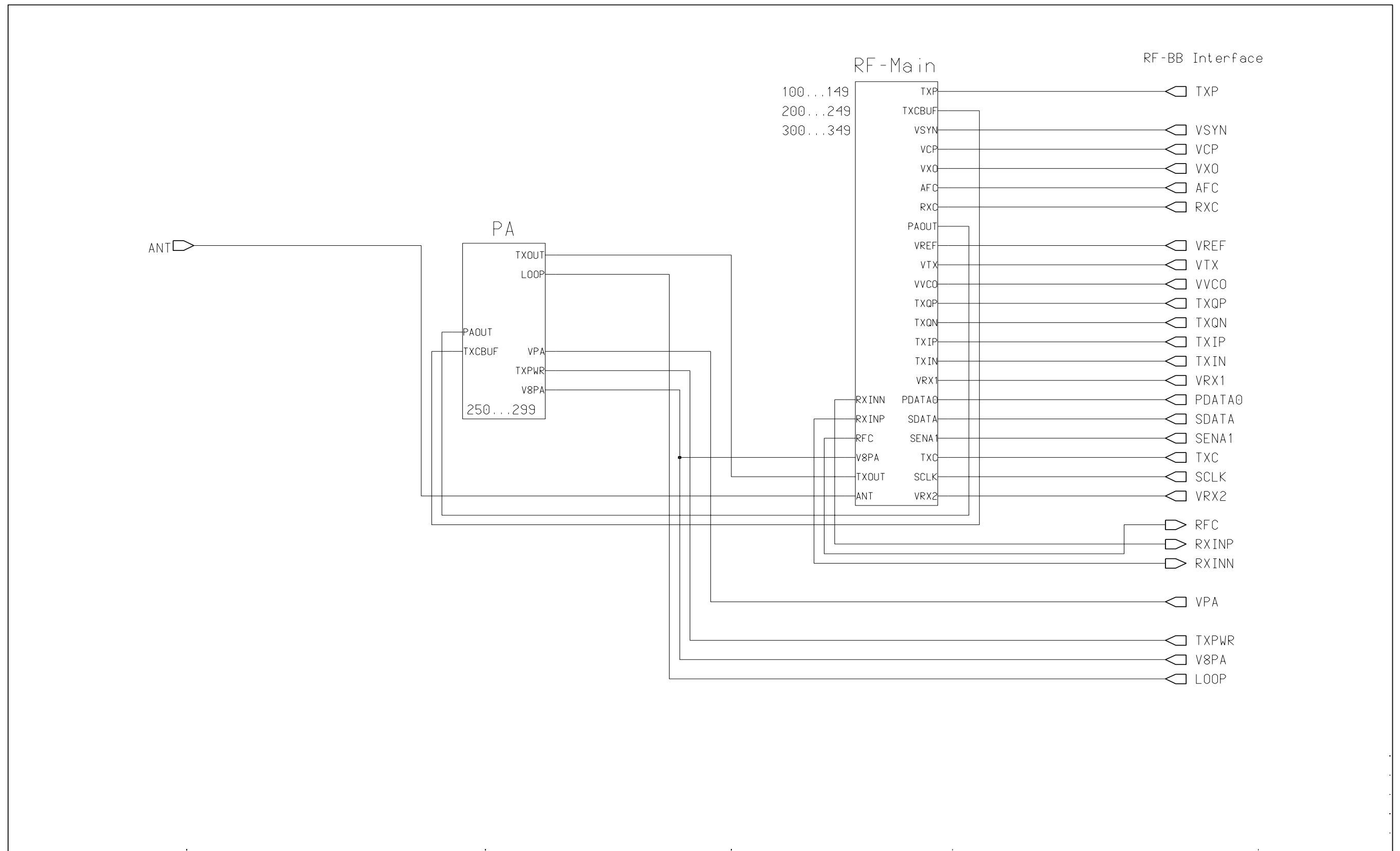


Data Connector

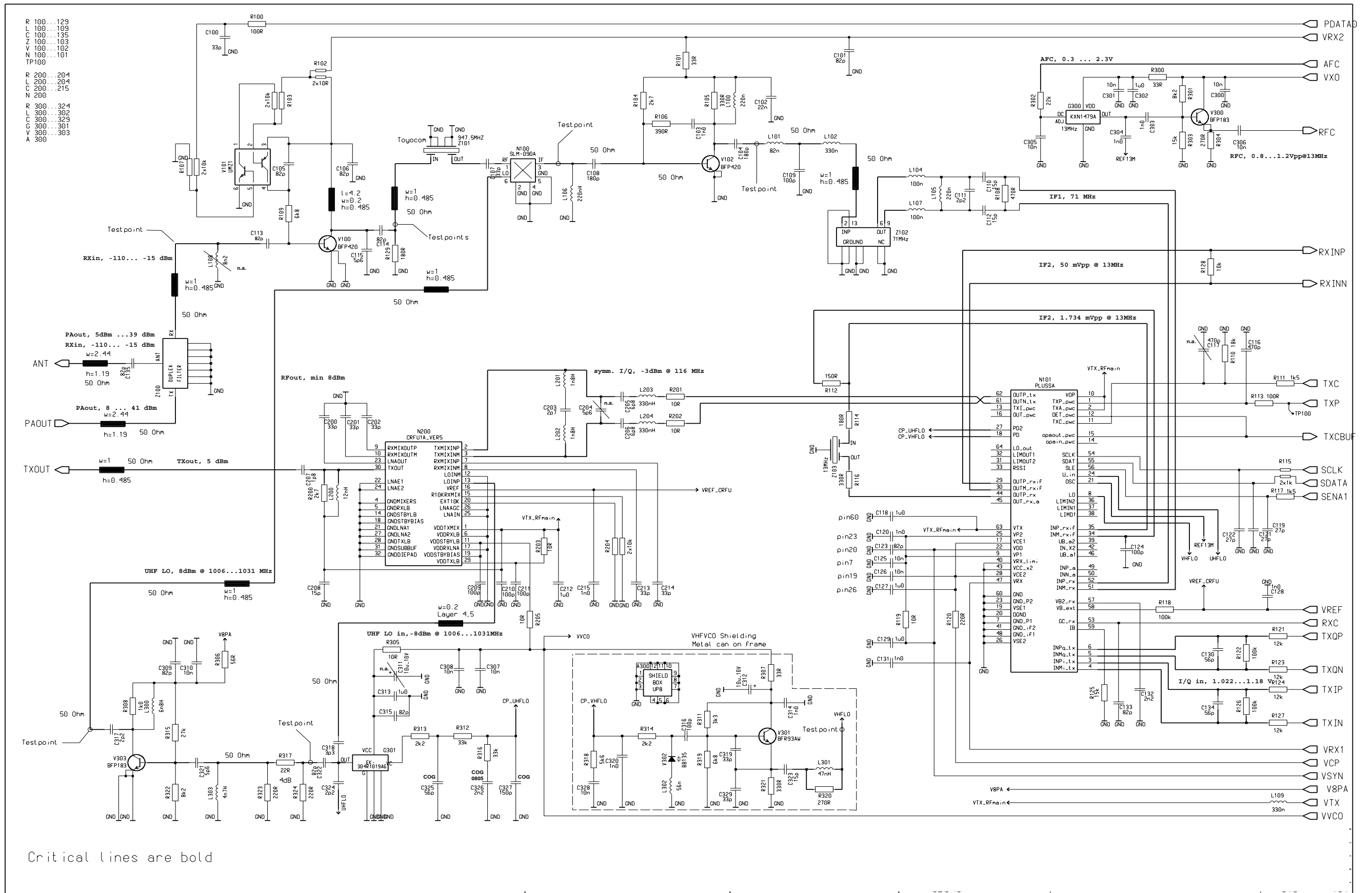
E580 .. E587  
 C80 .. C96  
 R80 .. R87  
 Z80 .. Z88  
 X80



RF Block

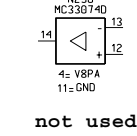
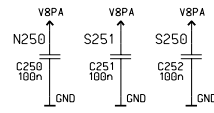


RF Main



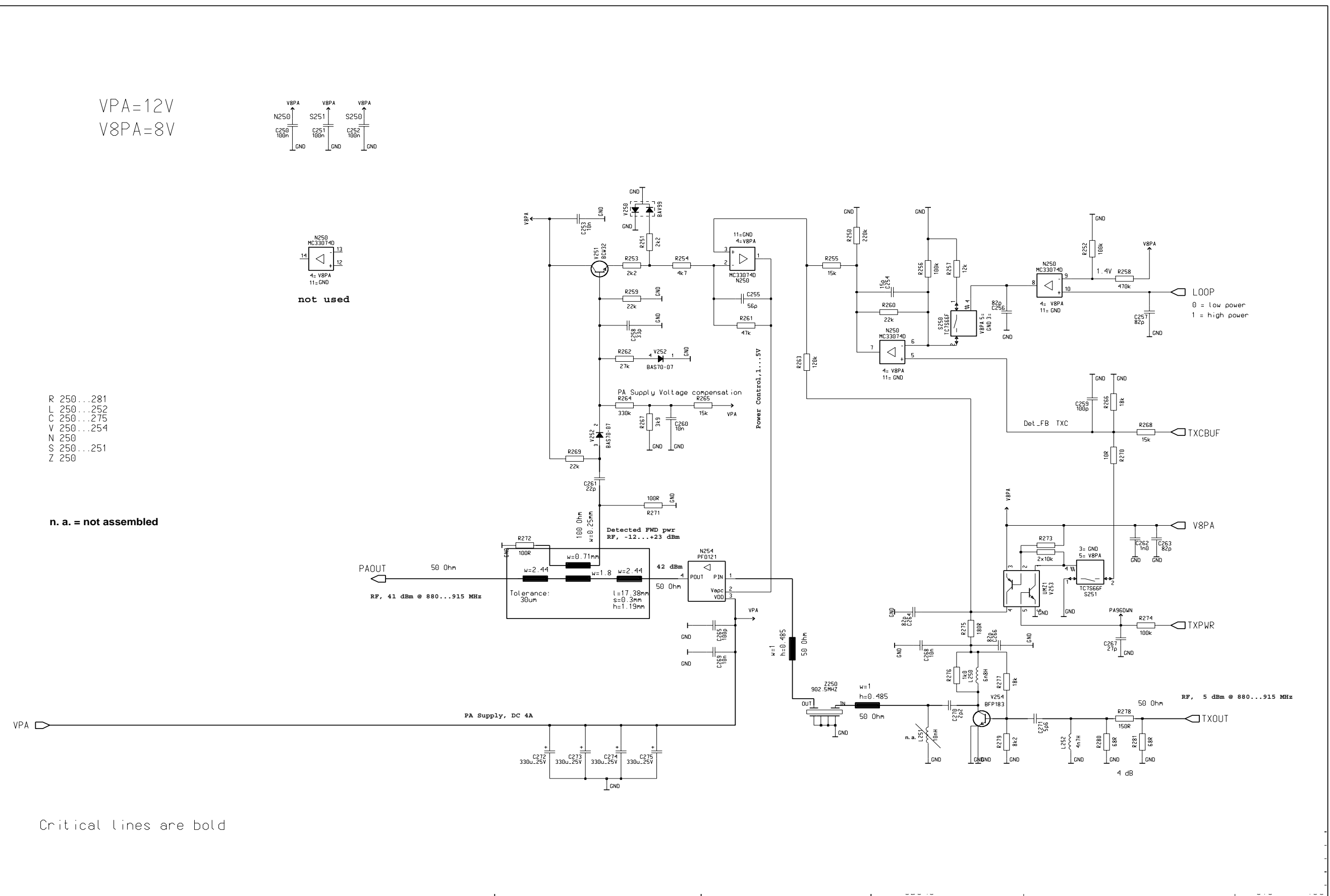
Power Amp

VPA=12V  
V8PA=8V



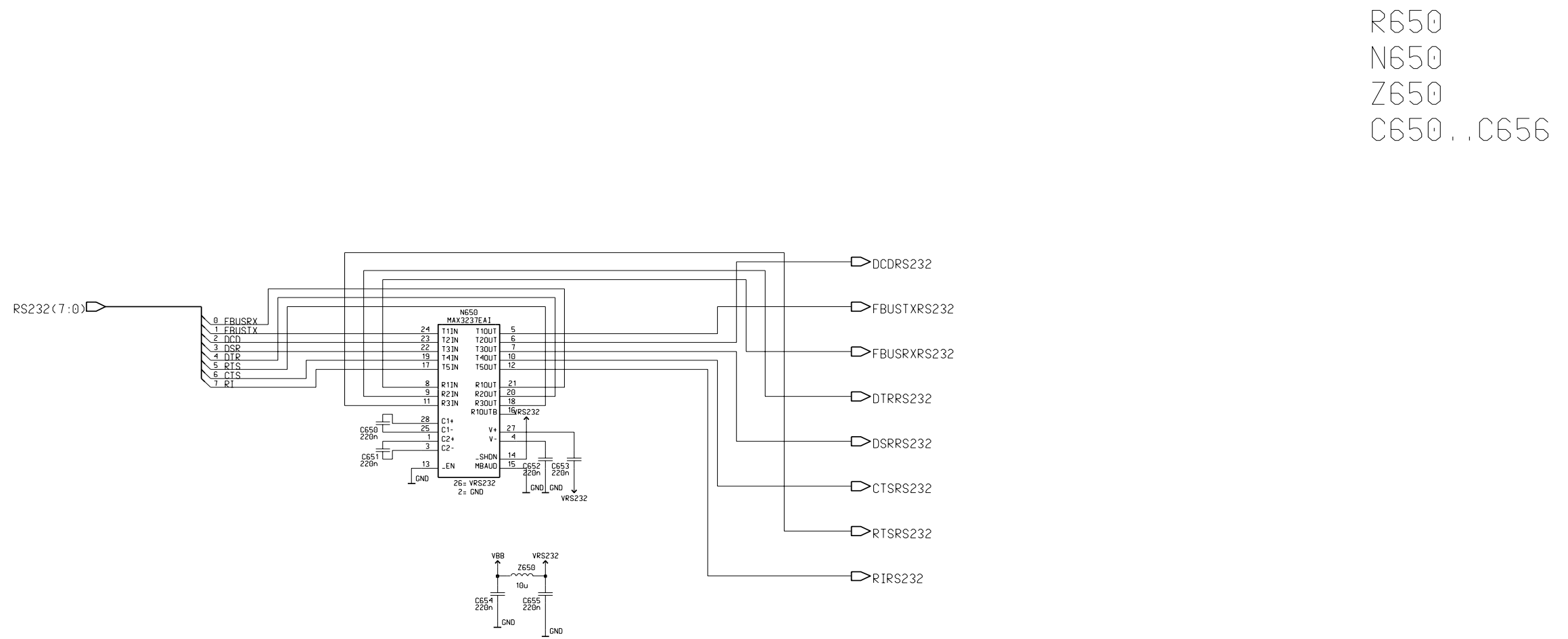
- R 250...281
- L 250...252
- C 250...275
- V 250...254
- N 250
- S 250...251
- Z 250

n. a. = not assembled

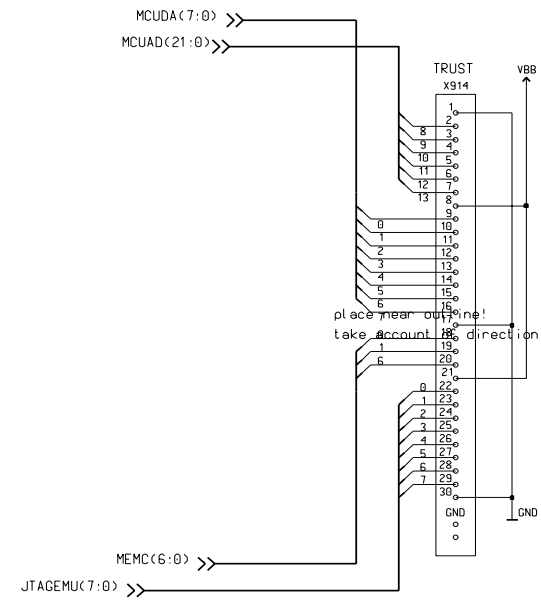


Critical lines are bold

RS232 level Shifter



Test Connectors









Assembly Values - Top





